

'DOCK/ CHEMICALS

SEMICONDUCTORS DECISION



Cr₁₇Ni₁₂Mo₃

Stainless Steel Bubbler Concept

'MO-III/V

Bubbler sizes >3000ccm

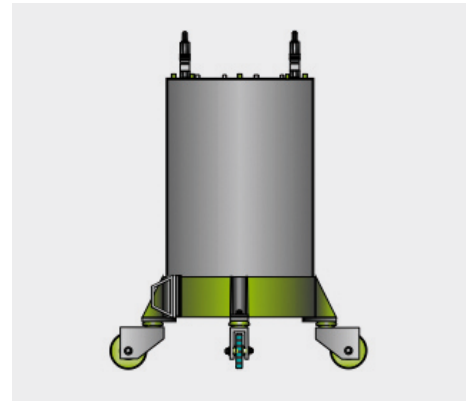
FOR BUBBLERTYPES: 100 & 200

'HEATEXCHANGER

PRODUCT DATASHEET

'HEATEXCHANGER

- For bubbler types 100 & 200
- Also available for type ww50.4000

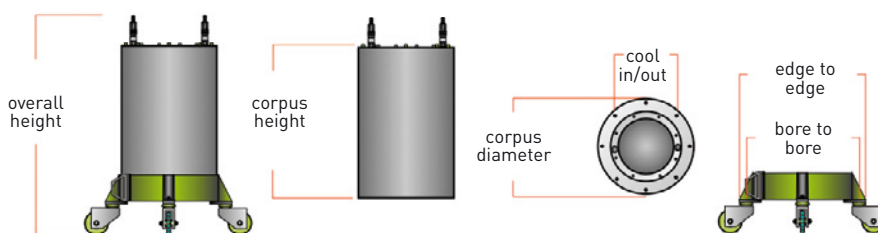


HEATEXCHANGER DIMENSIONS & SPECIFICATION

Product Code	heatex 3150	heatex 3200	heatex 8000	heatex 22000
Overall height (mm)	579	579	579	1190
Corpus height H (mm)	433	433	433	1150
Cool in/out (mm)	209	209	209	197
Corpus diameter	290	290	290	290
Ring size (mm)	60			
Ring height with wheels (mm)	135			
Diameter bore to bore (mm)	350			
Diameter edge to	400			
Heatex weight (kg)	21,2	21,2	21,2	40
Ring (kg)	2,5			

PHYSICAL PROPERTIES

- Stainless steel TP316L ($Cr_{17}Ni_{12}Mo_3$)
- Thermal insulation
- Designed for bubbler sizes > 3000ccm
- Connectable to thermostats, equipped with circulator pump
- Supplied with cooling-liquid by the connected thermostat
- Request flexible diptube and outlet-connections



**'DOCK/
CHEMICALS**

SEMICONDUCTORS DECISION

DOCKWEILER CHEMICALS GmbH

Emil-von-Behring-Strasse 76 | 35041 Marburg, Germany

T +49 6421 39 -6380 | F +49 6421 39 -6381

sales@dockchemicals.com

PRODUCT DATASHEET

www.dockchemicals.com